

BEMCO offer a wide range of liquid phase electric vat heaters from stock. Most dimensional and corrosion resistance requirements can be catered for.

BEMCO specialise in producing heaters to individual customer's requirements or can offer to carry a design or a specification study on behalf of a client.

## "V" type Hairpin Heaters Designed for clamping over the side of Electroplating Chemical/Water Vats

Sheath Material	Standard Range		
		No Thermostat	With Thermostat
Mild Steel	Type	VO	VO TC
Stainless Steel	Type	VS	VS TC
Titanium	Type	VT	VT TC
Teflon FEP	Type	VP	VP TC

Load kW	Surface Rating		Cold Leg mm	Vertical Leg mm	Order Reference			Weights kg
	W/cm <sup>2</sup>	W/in <sup>2</sup>			Mild Steel	S.S.316	Titanium	
2	7.5	48	170	500		VS226	VT226	1.0
3	7.5	48	340	850	V0338	VS338	VT338	1.3
4	7.8	50	340	1000	V0444	VS444	VT444	1.5
6	7.8	50	340	1350		VS658	VT658	1.8
6	7.5	48	170	500		VS626	VT626	3.5
9	7.5	48	340	850	V0938	VS938	VT938	3.8
12	7.8	50	340	1000	V01244	VS1244	VT1244	4.2
18	7.8	50	340	1350		VS1858	VT1858	5.0

## Teflon FEP Heaters Loadings in 3 and 9kW

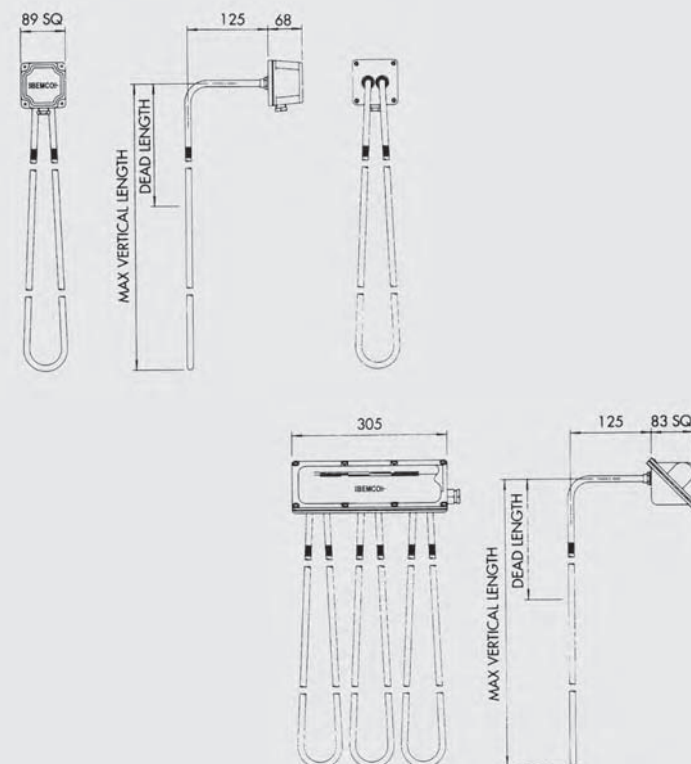
Load kW	Surface Rating		Cold Leg mm	Vertical Leg mm	Order Reference	Weights kg
	W/cm <sup>2</sup>	W/in <sup>2</sup>				
3	2.2	14	340	2140	VP388	2.4
9	2.2	14	340	2140	VP664	7.6

Elements are available sheathed in; Titanium, Stainless Steel Type 316, Mild Steel and Teflon-FEP. A range of single and triple element heaters, with loadings from 1 to 18 kW can be supplied from stock. Elements are mineral-filled and rated 230v single phase, multi-element units are rated 400v three phase, at stated kW loadings.

N.B. Whilst ready to advise on the type of heater required, BEMCO recommend that customers check with the suppliers of the solution to be heated as to the suitability of the sheathed material to be used.

To ensure the safety of operating personnel, we strongly urge that all heaters be protected by earth leakage circuit breakers which should be installed to current I.E.E. regulations.

Complete with ABS plastic terminal box to IP65 rating.



Globemarket Ltd, t/a BEMCO, is committed to a policy of continuous improvement and development. We therefore reserve the right to alter specifications at any time.

### Vat Heaters

ELECTROPLATING AND TITANIUM ANODISING JIGS • VAT HEATERS • TITANIUM ANODE BASKETS • ANODE BAGS • PT/TI ANODES • PVC COATINGS • TANKS • HEATING/COOLING COILS AND PANELS



Globemarket LTD t/a BEMCO > 11/12 Carver Street, Birmingham B1 3AS > England  
Tel: 0044 (0)121 236 5868 > Fax: 0044 (0)121 236 8211

[www.bemco.uk.com](http://www.bemco.uk.com)

# "TC" Heaters with Built-in thermostats 1 to 4kW, 1 phase

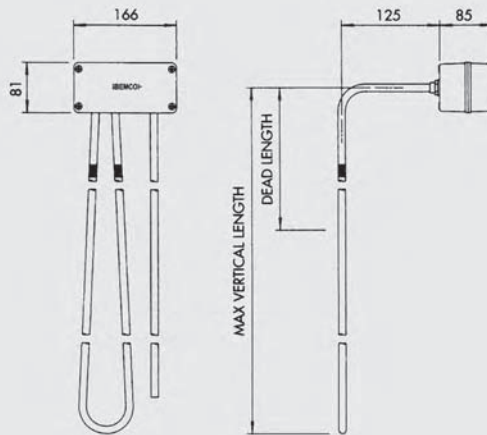
Titanium Stainless and Mild Steel Sheathed

Load kW	Surface Rating		Cold Leg mm	Vertical Leg mm	Order Reference			Weights kg
	W/cm <sup>2</sup>	W/in <sup>2</sup>			Mild Steel	S.S.316	Titanium	
2	7.5	48	170	500		VS226TC	VT226TC	1.5
3	7.5	48	340	850	VO338TC	VS338TC	VT338TC	1.6
4	7.8	50	340	1000	VO444TC	VS444TC	VT444TC	1.8

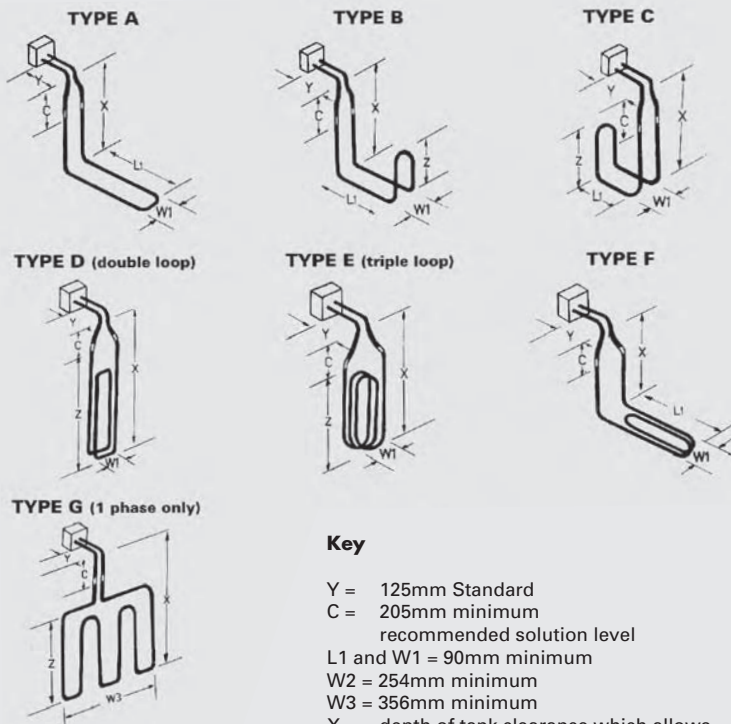
Teflon / FEP Sheathed

Load kW	Surface Rating		Cold Leg mm	Vertical Leg mm	Order Reference	Weights kg
	W/cm <sup>2</sup>	W/in <sup>2</sup>				
1	2.2	14	190	770		1.3
2	2.2	14	340	1520		2.4
3	2.2	14	340	2140	VP388TC	3.0

TC Type heaters incorporate an integral 16 amp rated thermostat unit which opens on a rising temperature: range is from 0-100°C (32-212°F). Loadings are available from 1 to 4 kW and are otherwise to the same specification as the V type range.



## Popular Styles of Forming Elements For Shallow Tanks (1 and 3 phase)



### Key

- Y = 125mm Standard
- C = 205mm minimum recommended solution level
- L1 and W1 = 90mm minimum
- W2 = 254mm minimum
- W3 = 356mm minimum
- X = depth of tank clearance which allows for pipework and sludge if necessary
- NB: Z should be a minimum of 152mm below solution

Vat Heaters

ELECTROPLATING AND TITANIUM ANODISING JIGS • VAT HEATERS • TITANIUM ANODE BASKETS • ANODE BAGS • PT/TI ANODES • PVC COATINGS • TANKS • HEATING/COOLING COILS AND PANELS



Globemarket LTD t/a BEMCO > 11/12 Carver Street, Birmingham B1 3AS > England  
Tel: 0044 (0)121 236 5868 > Fax: 0044 (0)121 236 8211

www.bemco.uk.com