

BEMCO represent the most experienced jig manufacturers in the trade. For over a quarter of a century we have led the field of design and competitive manufacture of all types of jigs and jiggling systems for electroplating and anodising.

Many of the ingenious wire forms in common use today were created by BEMCO, and so we are complimented to be copied so often. We are entrusted with all kinds of jiggling problems. Many famous names in a wide range of industries including aircraft, motor, electronics, engineering and domestic appliances all use BEMCO jigs as do many large and small out platers throughout the country.

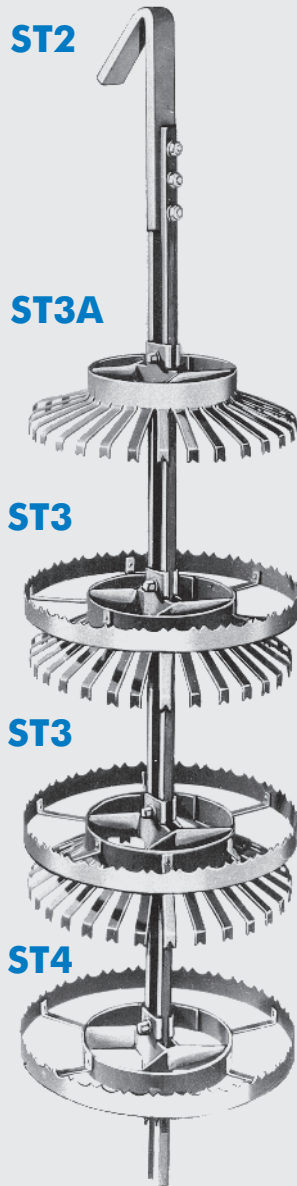
The 'Anorack' range of Titanium anodising jigs which have proved extremely reliable and very popular, comprise standard items which are uncomplicated and yet very effective. We are always happy to develop these designs and others, quickly and efficiently to suit individual requirements where necessary.

BEMCO 'Anorack' Titanium Anodising Jigs are the result of many years of development. They offer a complete range of highly adaptable jigs with interchangeable unit construction, offering maximum loading and efficient vat usage.

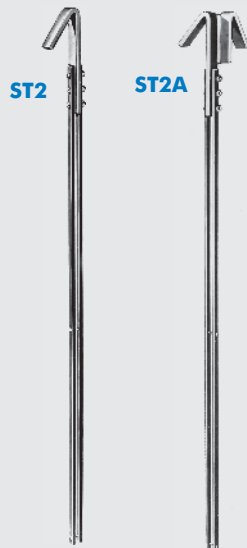
All items are readily available and you can be certain that they will fit your existing BEMCO equipment.

* N.B. Whilst always ready to advise on the choice of material, we recommend that all customers check with their chemical or solution suppliers if they are in any doubt as to the suitability of the selected material.

'Anorack' Umbrella Jig



ST3A top without support ring
ST3 middle with support ring
ST4 base notched support ring



'Anorack' Universal 36" downstem with single aluminium top hook (ST2) and double aluminium top hook (ST2A) Available in other lengths.

'Anorack' Racking Bar Jig

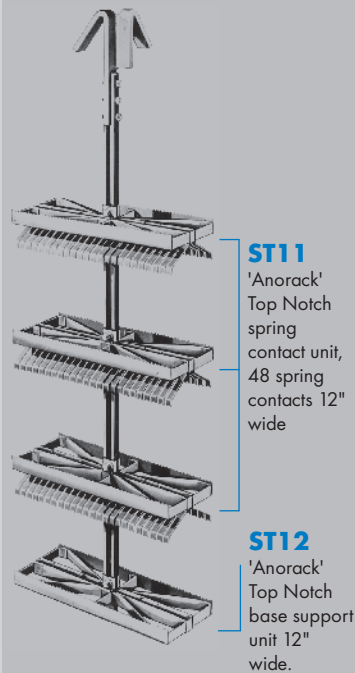


ST5
 'Anorack' 18" racking bar complete with end fittings. Also available in 24" and 30" widths (ST6 & ST7)

ST8
 'Anorack' 18" racking bar complete with end fittings. Also available in 24" and 30" widths (ST9 & ST10)

The 'Anorack' racking bar jig is primarily designed for large plates and circular components. Double top hook downstems (ST2A) are often used to give easier handling with heavy loads.

'Anorack' Top Notch Jig



ST11
 'Anorack' Top Notch spring contact unit, 48 spring contacts 12" wide

ST12
 'Anorack' Top Notch base support unit 12" wide.

The 'Anorack' Top Notch jig is our exclusive and original design. Capable of carrying a variety of work giving very economical vat loading up to 4 times that of the Umbrella type. (Registered design no. 932674)

Titanium Anodising Jigs

ELECTROPLATING AND TITANIUM ANODISING JIGS • VAT HEATERS • TITANIUM ANODE BASKETS • ANODE BAGS • PT/TI ANODES • PVC COATINGS • TANKS • HEATING/COOLING COILS AND PANELS



Globemarket LTD t/a BEMCO > 11/12 Carver Street, Birmingham B1 3AS > England
 Tel: 0044 (0)121 236 5868 > Fax: 0044 (0)121 236 8211

www.bemco.uk.com

Standard Titanium Anode Baskets

Made from pure titanium, they have an all-welded construction ensuring good electrical conductivity and long life in normal plating applications.

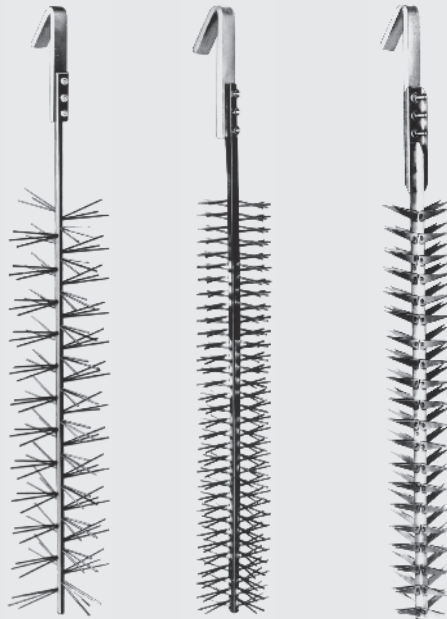
Available in a variety of lengths. Widths of 150, 200 and 300mm and depths of 25, 40 and 50mm. Non standard sizes can be manufactured to your individual requirements.

As well as titanium, baskets can also be made from the following materials: Stainless Steel, Mild Steel, PVC Coated, Incoloy, Monel and Polypropylene.



For more information or a quote on how we can meet your requirements simply call us on the number opposite.

'Anorack' Stem Jigs



ST1

ST1A

ST1B

ST1 'Anorack' standard titanium stem jig 4 way, three pronged 48 stations 36" long, 24" working depth.

ST1A 'Anorack' standard titanium stem jig 4 way, two pronged 120 stations 36" long, 24" working depth.

ST1B 'Anorack' standard titanium stem jig 4 way, two pronged 80 stations 36" long, 24" working depth.



ST1C

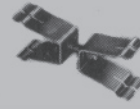
ST1D

ST1E

ST1C 'Anorack' standard titanium stem jig 4 way, two pronged 88 stations 36" long, 24" working depth.

ST1D 'Anorack' standard titanium stem jig 4 way, two pronged 80 stations 36" long, 24" working depth.

ST1E 'Anorack' standard titanium heavy duty strip jig two way, 76 pairs of tough contacts, 36" long, 24" working depth.



ST13A 'Anorack' general purpose clip type A complete with 5/16 inch UNC titanium screw.



ST14 'Anorack' single aluminium top hook complete with aluminium nuts, bolts and washers.



ST14A 'Anorack' double aluminium hook complete with 0.25 inch UNC aluminium fasteners.



ST15 5/16 inch UNC x 1.25 inch long aluminium screw.



ST16 M6 x 30 long aluminium screw complete with nut and washer.



ST17 Titanium Flanged Washer to fit ST2 & ST2A type down stems with M8 clearance hole.

Globemarket Ltd t/a BEMCO, is committed to a policy of continuous improvement and development. We therefore reserve the right to alter specifications at any time.

ELECTROPLATING AND TITANIUM ANODISING JIGS • VAT HEATERS • TITANIUM ANODE BASKETS • ANODE BAGS • PT/TI ANODES • PVC COATINGS • TANKS • HEATING/COOLING COILS AND PANELS
 Titanium Anodising Jigs, Baskets & Fastenings



Globemarket LTD t/a BEMCO > 11/12 Carver Street, Birmingham B1 3AS > England
 Tel: 0044 (0)121 236 5868 > Fax: 0044 (0)121 236 8211

www.bemco.uk.com